

Congratulations on your purchase of this high-quality Insignia product. Your NS-D9PDVD15/NS-D9PDVD15-MX represents the state of the art in personal DVD player design and is designed for reliable and trouble-free performance.

PACKAGE CONTENTS

- Headphones (2)
- Vehicle power adapter (for 2 monitor connection)
- AC adapter
- AV cable (for TV)
- Mounting straps
- *Quick Start Guide*

Before using your new product, please read these instructions to prevent any damage.

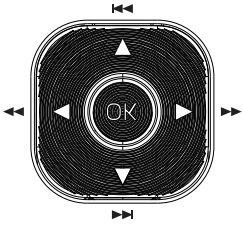
FIND YOUR USER GUIDE ONLINE!

We are going green so a copy of your *User Guide* is not provided in the box but is available online.

Go to www.insigniaproducts.com, then click **Support & Service**.

Enter your model number in the box under **Manual, Firmware, Drivers & Product Information**, then click ►.

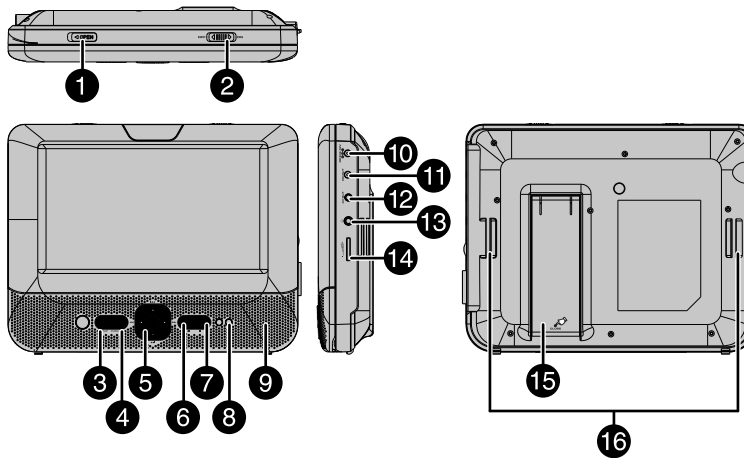
PLAYER NAVIGATION CONTROLS



CONTROL	DESCRIPTION
▲/◀◀	In Menu mode, press to move up in a list or menu. In playback mode, press to go to the previous title, chapter, or track.
▼/▶▶	In Menu mode, press to move down in a list or menu. In playback mode, press to go to the next title, chapter, or track.
◀/◀◀	In Menu mode, press to move left. In playback mode, press to fast reverse the playback.
▶▶/▶	In Menu mode, press to move right. In playback mode, press to fast forward the playback.
OK	In menu mode, press to confirm a selection.

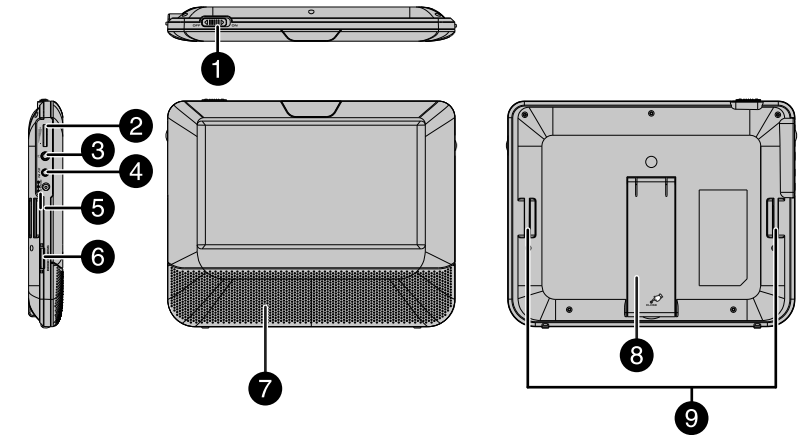
FEATURES

DVD player



#	ITEM	DESCRIPTION
1	OPEN switch	Slide to open the disc tray.
2	ON/OFF switch	Slide to turn your DVD player on or off.
3	SETUP button	Press to open or close the setup menu.
4	FUNC. button	Press to enter or exit the <i>Function</i> menu.
5	Navigation controls	See "Player navigation controls".
6	▶ button	Press to pause or resume the playback.
7	■ button	Press to stop disc playback.
8	Power indicator	Lights when your player is turned on.
9	Speakers	Provide sound for CD and DVD playback.
10	DC IN jack	Connect to an AC adapter or vehicle charger.
11	DC OUT jack	Connect the LCD monitor to this jack using the AV/DC cable.
12	AV OUT jack	Connect the LCD monitor to this jack using the AV/DC cable. Or connect a remote monitor, TV, or amplifier to this jack using the AV cable and an RCA cable (not supplied).
13	Headphone jack	Plug headphones into this jack. Note: When headphones are plugged in, the internal speakers are muted.
14	Volume control	Rotate this dial to adjust the volume.
15	Stand	Pull out to set your player on a desk or table.
16	Strap slots	Slide mounting straps through the slot when installing your player in a vehicle.

Monitor

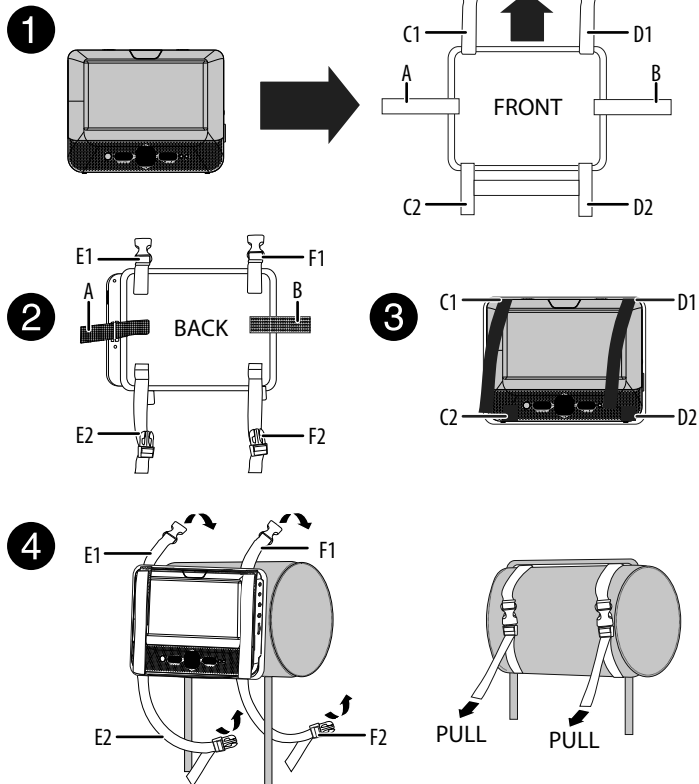


#	ITEM	DESCRIPTION
1	ON/OFF switch	Slide to turn your monitor on or off.
2	Volume control	Rotate this dial to adjust the volume.
3	Headphone jack	Plug headphones into this jack. Note: When headphones are plugged in, the internal speakers are muted.
4	AV IN jack	Connect your DVD player to this jack using the AV/DC cable.
5	DC IN jack	Connect your DVD player to this jack using the AV/DC cable.
6	BRIGHTNESS +/-	Rotate this dial to adjust the brightness of the display.
7	Speakers	Provide sound for CD and DVD playback.
8	Stand	Pull out to set your player on a desk or table.
9	Strap slots	Slide mounting straps through the slot when installing your monitor in a vehicle.

SETTING UP YOUR PLAYER

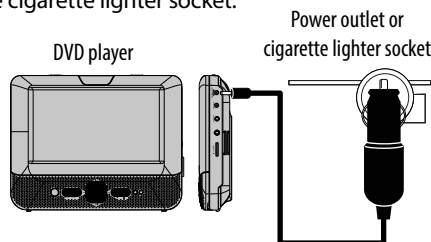
To install your player in a vehicle

- 1 Loosen the straps of the mounting plate as shown below, then fit the DVD player or monitor to the mount the "front" position.
- 2 Slide the horizontal straps A and B through the slots on the back of the DVD player or monitor, then fold and secure them on to the back of the mounting plate until the Velcro attaches.
- 3 Bring straps C1, C2, D1, and D2 in front of the DVD player or monitor and attach to the Velcro as shown.
- 4 Fit the straps E1, E2, F1, and F2 around the headrest and secure the two buckles. Pull the straps tight as shown.



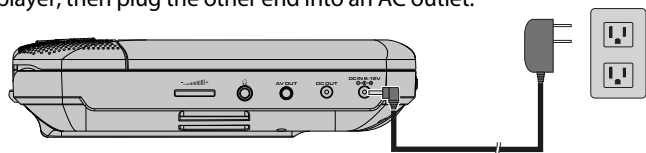
To connect to a 12V vehicle power outlet

- 1 Plug one end of the vehicle power adapter into the **DC IN** jack on the side of your player.
- 2 Plug the other end of the adapter into a 12V vehicle power outlet or vehicle cigarette lighter socket.



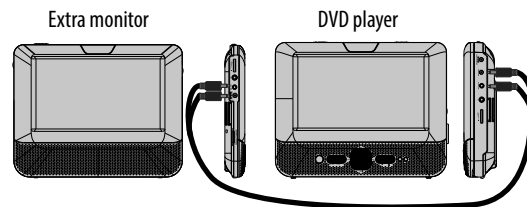
To connect to AC power

- Plug one end of the AC adapter into the **DC IN** jack on the side of your player, then plug the other end into an AC outlet.



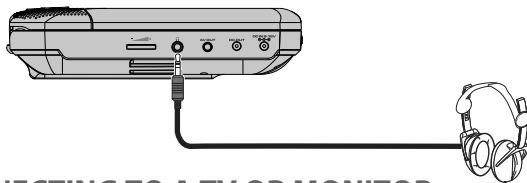
Connecting your extra monitor

- 1 Using the AV/DC cable, connect **AV OUT** and **DC OUT** on the DVD player to **AV IN** and **DC IN** on the extra monitor.
- 2 Turn on your DVD player and monitor.



CONNECTING HEADPHONES

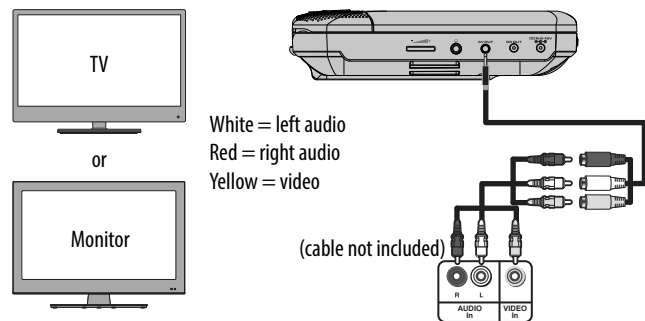
- Plug headphones into the Headphone jack on both the DVD player and extra monitor. When headphones are plugged into the headphone jack, no sound comes from the built-in speakers.



CONNECTING TO A TV OR MONITOR

You can connect your DVD player to a TV or monitor so you can watch DVDs on the TV or monitor.

- 1 Plug the end of the supplied AV cable that has one black connector into the **AV OUT** jack on your DVD player.
- 2 Plug the connectors on an RCA cable (not included) into the connectors on the other end of the included AV cable. Make sure that the colors on the connectors match.
- 3 Plug the other end of the RCA cable into the AV jacks on the TV or monitor, making sure to match the colors on the connectors with the jacks.



USING YOUR DVD PLAYER

Playing a DVD or audio CD

Note: Most DVDs and your DVD player have region codes that help control illegal distribution of DVDs. The region code for your player is **1**. You can only play DVDs with a region code of **1** or **ALL**. The region code for a DVD is printed on the DVD or the DVD packaging.

- 1 Make sure that your player is connected to power.
- 2 Slide the **ON/OFF** switch to the **ON** position.
- 3 Slide the **OPEN** switch. The disc tray opens.
- 4 Place a disc, label side up, in the disc tray, then close the tray. The disc starts playing automatically.
- 5 Use the player navigation controls and buttons on the DVD player to control playback.

For more information about using your Portable DVD player, see your online *User Guide* at www.insigniaproducts.com.

SPECIFICATIONS

AC adapter voltage: 100-240V ~ 0.5A

Operating frequency: 50/60Hz

Car charger adapter: 12V ~ 800mA

Device input: DC 9-12V ~ 1.5A

LEGAL NOTICES

FCC Statement

This device complies with Part 15 of the FCC Rules. Operation of this product is subject to the following two conditions: (1) this device may not cause harmful interference, and (2) this device must accept any interference received, including interference that may cause undesired operation.

This equipment has been tested and found to comply within the limits for a class B digital device, pursuant to Part 15 of the FCC Rules. These limits are designed to provide reasonable protection against harmful interference in a residential installation. This equipment generates, uses, and can radiate radio frequency energy and, if not installed and used in accordance with the instructions, may cause harmful interference to radio communications.

However, there is no guarantee that interference will not occur in a particular installation. If this equipment does cause harmful interference to radio or television reception, which can be determined by turning the equipment off and on, the user is encouraged to try to correct the interference by one or more of the following measures:

- Reorient or relocate the receiving antenna.
- Increase the separation between the equipment and receiver.
- Connect the equipment into an outlet on a circuit different from that to which the receiver is connected.
- Consult the dealer or an experienced radio/TV technician for help.

FCC warning

Changes or modifications not expressly approved by the party responsible for compliance with the FCC Rules could void the user's authority to operate this equipment.

IMPORTANT SAFETY INSTRUCTIONS

- 1 Read these instructions.
- 2 Keep these instructions.
- 3 Heed all warnings.
- 4 Follow all instructions.
- 5 Do not use this apparatus near water.
- 6 Clean only with a dry cloth.
- 7 Do not block any ventilation openings. Install in accordance with the manufacturer's instructions.
- 8 Do not install near any heat sources such as radiators, heat registers, stoves, or other apparatus (including amplifiers) that produce heat.
- 9 Do not defeat the safety purpose of the polarized or grounding-type plug. The wide blade is provided for your safety. If the provided plug does not fit into your outlet, consult an electrician for replacement of the obsolete outlet.
- 10 Protect the power cord from being walked on or pinched particularly at plugs, convenience receptacles, and the point where they exit from the apparatus.
- 11 Only use attachments/accessories specified by the manufacturer.
- 12 Unplug this apparatus during lightning storms or when unused for long periods of time.
- 13 Refer all servicing to qualified service personnel. Servicing is required when the apparatus has been damaged in any way, such as power-supply cord or plug is damaged, liquid has been spilled or objects have fallen into the apparatus, the apparatus has been exposed to rain or moisture, does not operate normally, or has been dropped.
- 14 To reduce the risk of fire or electric shock, do not expose this device to rain, moisture, dripping, or splashing, and no objects filled with liquids, such as vases, shall be placed on it.
- 15 The wall plug is the disconnecting device. The plug must remain readily operable.

Canada ICES-003

This Class B digital apparatus complies with Canadian ICES-003.

Cet appareil numérique de la classe B est conforme à la norme NMB-003 du Canada.

ONE-YEAR LIMITED WARRANTY

Visit www.insigniaproducts.com for details.

CONTACT INSIGNIA:

For customer service, call 1-877-467-4289 (U.S. and Canada) or 01-800-926-3000 (Mexico)

www.insigniaproducts.com

INSIGNIA is a trademark of Best Buy and its affiliated companies.

Registered in some countries.

Distributed by Best Buy Purchasing, LLC
7601 Penn Ave South, Richfield, MN 55423 U.S.A.

©2014 Best Buy. All rights reserved.

Made in China